



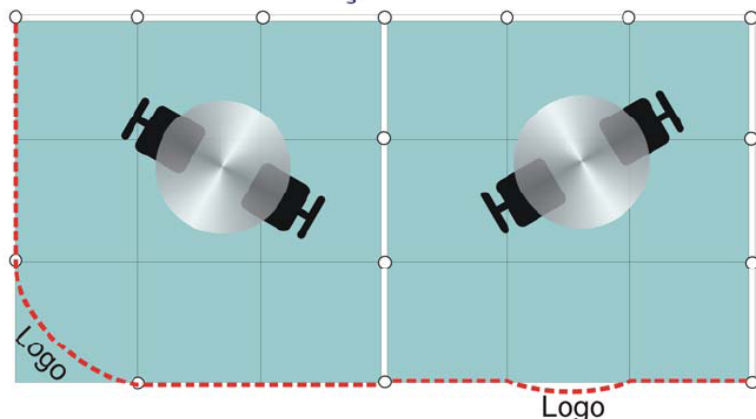
CARDS International Exhibition & Conference on Cards, Services and Technologies

現代生活，可用“手有一卡 四通八達”一言貫之！卡片在各種場合與生活領域正廣泛性被應用
 公民卡(身份證及健保卡) 提款卡 信用卡 捷運卡 電話卡 學生卡 會員卡 停車卡 展覽參觀卡
 住戶通行卡 健身房會員卡 珠寶出生卡 行動電話晶片卡 電子商務認證卡...沒有卡小心被卡！

展覽名稱：	第 15 屆 CARDS 2010 拉丁美洲智能卡技術專業展覽
展覽時間：	April 26 ~ 28, 2010 ; from 01:00pm to 08:00pm.
展覽地點：	Frei Caneca Convention Center -- Rua Frei Caneca, 569 - São Paulo, Brazil.
大會基本 裝潢：	19 米大會裝潢 內容包含：九米淨地、隔間牆、地毯、公司招牌、一桌二椅、220V插座
付款條件	



Forração Grafite



展覽諮詢請洽：李亞琳#324、李惠琪#305、呂佳陵#236、歐垣季 #303、蕭欣如#322
 黎依楨#306、蔡沛潔#302、吳怡慧#307、林育暄#304、王韻茹#204、莊雅涵#209

TEL: (02) 2392-6960 www.aceforum.com.tw

For more information, please mail your request to: sally@aceforum.com.tw



CARDS International Exhibition & Conference on Cards, Services and Technologies

Attendees

Market Segment	Delegates	Visitors
- Banks, Card Administrators and Issuers, Credit and Insurance Companies	47%	21%
- Retailers, Manufacturers and Service Companies	16%	20%
- Telecommunications	09%	09%
- Technology Companies	08%	20%
- Card Manufacturers and Processors	16%	19%
- Consulting	03%	07%
- Other	01%	04%

Seniority Level	Delegates	Visitors
- High Management	34%	28%
- Middle Management	40%	36%
- Professionals	18%	24%
- Other	08%	12%

Target Markets

- | | | |
|-----------------------|------------------------|---------------------|
| ❖ Banks | ❖ Transportation | ❖ Service Companies |
| ❖ Retailers | ❖ Telecommunications | ❖ E-Commerce |
| ❖ Credit Companies | ❖ Social Security | ❖ Education |
| ❖ Insurance | ❖ Healthcare | ❖ Government |
| ❖ Credit Cooperatives | ❖ Parking | ❖ Consulting |
| ❖ Card Administrators | ❖ Shopping Centers | ❖ Card Brands |
| ❖ Acquirers | ❖ Vouchers and Coupons | ❖ Other |
| ❖ Loyalty Promoters | | |

Exhibit Items

- | | | |
|--|--|---|
| - Card Manufacturers | - Component Manufacturers | - Vending Machine Manufacturers |
| - Card Processors | - Card Printing and Embossing
Eqpt. Manufacturers | - Kiosk and Self-Service
Environment Providers |
| - Acquirers | - Service Bureaus | - Ticketing Systems |
| - Smart Card Manufacturers | - Plastic Vendors | - Communication Systems and
Networks |
| - Biometrics | - Printing Services | - Turnstiles and Revolving Doors |
| - Systems and Solutions | - Solution Developers and
Integrators | - Access Control Systems |
| - POS Terminal Manufacturers | - System and Software Suppliers | - Other |
| - Card, Bar Code, Bill Reader
Manufacturers | - Call Center Bureaus | |
| - Data Collector Manufacturers | | |



展覽諮詢請洽：李亞琳#324、李惠琪#305、呂佳陵#236、歐垣季 #303、蕭欣如#322
黎依楨#306、蔡沛潔#302、吳怡慧#307、林育暄#304、王韻茹#204、莊雅涵#209

TEL: (02) 2392-6960 www.aceforum.com.tw

For more information, please mail your request to: sally@aceforum.com.tw



CARDS International Exhibition & Conference on Cards, Services and Technologies

Previous Editions Exhibitors

ACARDS	DMT	KNOWHOUSE	SERASA
ACG	2RP	KÖRA PACHMAT	SET INFORMÁTICA
ACI	DR MARKETING	KURZ	SG7
ACSP	ECX CARD	LASERCARD	SIEMENS
ACTIONCARD	EDITORA ABRIL	LYRA	SISCARD
AKAD	EDITORA SABER	MAGIC CONTROL	SKYTEF
ALTRAN	EDS	MASTERCARD	SKYSYS
ALPHA	ELAP	MC CARTÕES	SMART CARD ALLIANCE
AMATECH	EMBRATEL	M2M	SMARTCON
AME	EMBRYO	MENNO	SMART-ID
AMERICAN BANK NOTE	EMPRESA1	MICROPROSS	SMART LAYER 3
APB PRODATA	EQUIFAX	MINASAT	SMART SHOP
APPI	E-SAFETRANSFER	MÓDULO	SMARTEC
ARJOWIGGINS	ESTADO DE SÃO PAULO	MOTOROLA	SMARTRAC
ASSA ABLOY ITG	FASTCRED	MP7	SOKYMAT
ASK	FAST SOLUTIONS	MÜHLBAUER	SOLUTION CARDS
ASSURANT	FIRST DATA	MULTIPOLARIS	SOLUTIONS & SERVICES
ATMEL	FLASH COURIER	NBSTECH	SONSUN
AT&T GLOBAL	GD BURTI	NEO INFOTEC	SPARTANICS
ATT/PS	GEMENOS	NET1	SPLICE
AXALTO	GEMPLUS BANK NOTE	NXP	STAND-BY
AXIOHM	GÊNIA	NOVACARD	STMICROELECTRONICS
BANCO SOCIÉTÉ GÉNÉRALE	GESA	OBERTHUR	SUN MICROSYSTEMS
BGINGENIERIE	GETNET	OMRON	SYSCO
BGS	GLOBAL-ID	ORBITALL	TAN
BLUE BAMBOO	GLOBECARD	ORCANTHUS	TECBAN
BÖWE CARDTEC	GLOBETRADE	OTTO KÜNNECKE	TEC PRIMA
BÖWE SYSTEC	GOOD CARD	PARTNER	TEAM QUALITY
BULL	GPS	PASSO	TECHMAG
BRINK'S	HID	PAYMENT MEDIA	TECHNI BUS
BULL	HITECH	PAY TRUE	TELECOM
BUSCARD	HOLOGRAM INDUSTRIES	PC & CIA	TELEDATA
CARDIF	HP	PERTO	TG&S
CARD MANUFACTURING	HPS	PHILIPS	THALES
CARDNET	HYPERCOM	PHOEBUS	THE NILSON REPORT
CARDNEWS	IBM	PITNEY BOWES	TILLER
CHECK EXPRESS	ICI	PLANETA	TIVIT
CHUBB SEGUROS	ICMA	POLICARD	T. JANÉR
CIGNA	IDCENTRIX	POSTILION	TOTAL SOLUTIONS
CILIX	IDS	PRÓ-CARDS	T&T
CIM	IDTECH	PROCEDA	TRANSACTIVE
CIS	ID3	PROCOMP	TRANSDATA
CLM	IIMAK	PROSISA	TSYS
COLLIS	IMPRIMMA	PROTEGE	3M
COMERCIAL NET	INCARD	QSI	TRIADIS
COMPILERS	INDEVICES	REDECARD	UNIFRANCE

展覽諮詢請洽：李亞琳#324、李惠琪#305、呂佳陵#236、歐垣季 #303、蕭欣如#322
黎依楨#306、蔡沛潔#302、吳怡慧#307、林育暄#304、王韻茹#204、莊雅涵#209

TEL: (02) 2392-6960 www.aceforum.com.tw

For more information, please mail your request to: sally@aceforum.com.tw



CARDS International Exhibition & Conference on Cards, Services and Technologies

COMPRINT	INFINEON	REDE PONTO CERTO	UNIVERS
CONVERGÊNCIA DIGITAL	INFORMÁTICA HOJE	REDE3	UNISYS
CONVERGYS	INFOX	RESOURCE	UTSTARCOM
CPI CARD	INSIDE	RIO CARD	VERIFONE
CSM	INTEC	SABER ELETRÔNICA	VISA
CTS	INTELCAV	SAGEM DS	VISANET
DARUMA ORGA	INTELGENSA	SAGEM ORGA	VSTAR
DATA CARD	INTERCARD	SCHREINER	VULCAN
DATAPROM	INTERPRINT	SCHWAN	XIRING
DATAREGIS	IREC	SCO	WSL
DCS	ISTOÉ DINHEIRO	SCPC	ZEBRA
DDCOM	KBA METRONIC	SCUA	
DIMEP	KEYTEC & SMATEC	SELECTOR	

Mapa da Exposição



展覽諮詢請洽：李亞琳#324、李惠琪#305、呂佳陵#236、歐垣季 #303、蕭欣如#322
黎依楨#306、蔡沛潔#302、吳怡慧#307、林育暄#304、王韻茹#204、莊雅涵#209

TEL: (02) 2392-6960 www.aceforum.com.tw

For more information, please mail your request to: sally@aceforum.com.tw



CARDS International Exhibition & Conference on Cards, Services and Technologies

展會照片集：



展覽諮詢請洽：李亞琳#324、李惠琪#305、呂佳陵#236、歐垣季 #303、蕭欣如#322
 黎依楨#306、蔡沛潔#302、吳怡慧#307、林育暄#304、王韻茹#204、莊雅涵#209
 TEL: (02) 2392-6960 www.aceforum.com.tw
 For more information, please mail your request to: sally@aceforum.com.tw